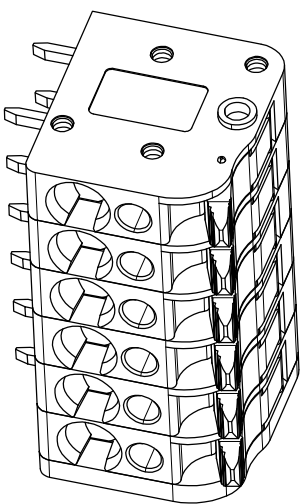
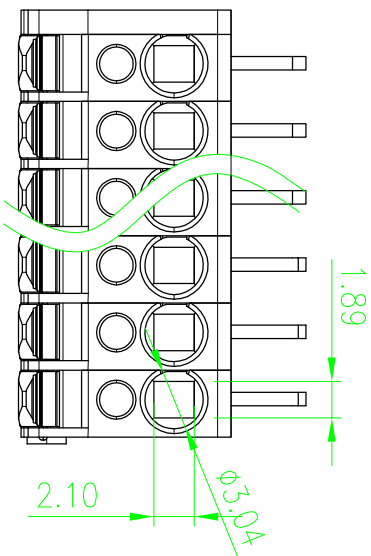
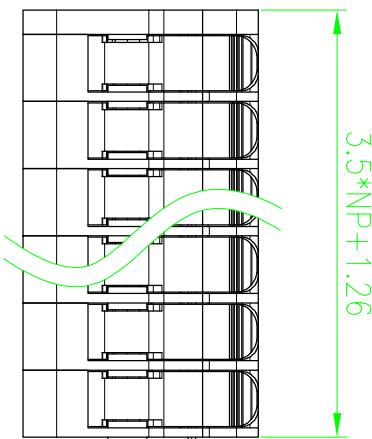
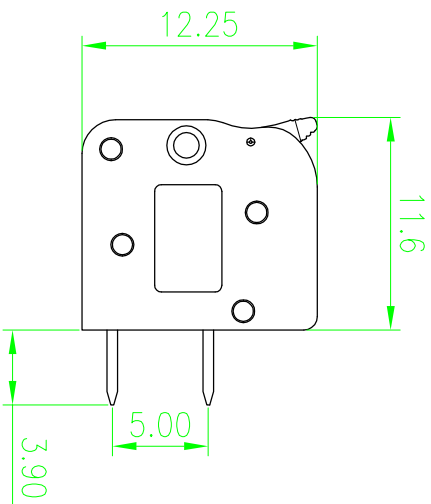
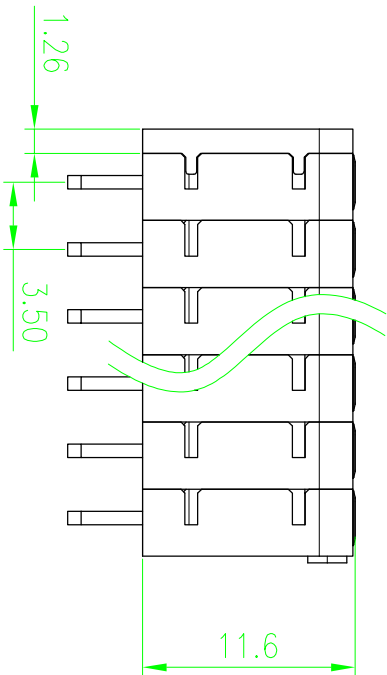


公差/General Tolerances(mm)	0	>3	>6	>10	>18	>30	>50	>80	>120	>180	>250	>315	>400	0.1/10
±0.12	±0.18	±0.22	±0.26	±0.31	±0.37	±0.43	±0.57	±0.80	±0.93	±1.05	±1.15	±1.60	±2.20	±2.50
±Z	±Z	±Z	±Z	±Z	±Z	±Z	±Z	±Z	±Z	±Z	±Z	±Z	±Z	±Z



UL 标准/UL Standard:	B	C	D
额定电压/Rated Voltage(V)/Current(A)	400/10	/	400/10
IEC 标准/IEC Standard:			
过压类别/Overvoltage Category/污秽等级	III/3	III/2	II/2
额定电压/Rated Voltage(V)/Current(A)	400/15	400/15	400/15
额定脉冲电压(kV)/Rate Impulse Voltage(kV)	4	4	4
额定脉冲电压(kV)/Rate Impulse Voltage(kV)	0.2~4/24~12		
线径范围(硬线和软线)/Wire Range(rigid and flexible)(mm ² /AWG)	3.5/N=01~12P		
间距/Pitch(mm)/线数范围/Poles	9-11		
剥线长度/Stripping length(mm)	-40~+105		
使用温度范围/Operating temperature(°C)			
符合环保要求/Conform to RoHS	Yes		

SURFACE:

MATERIAL: /
 MAT NO.: /
 STATUS: /
 APPD: Ian CHH 2024.07.14
 NAME: **康伟电子有限公司**
KANGWEI Kangwei Electronics Co., Ltd

CHKD: Yu JZh 2024.07.14
 DRAFT: CENGMZ_2024.07.14
 DRAWING NO.: KV2616R-3.5
 TYPE: CUSTOMER_DRAWING

SIZE: A4	SCALE: 2:1	SHEET 1/1
REV	TO-1	REV