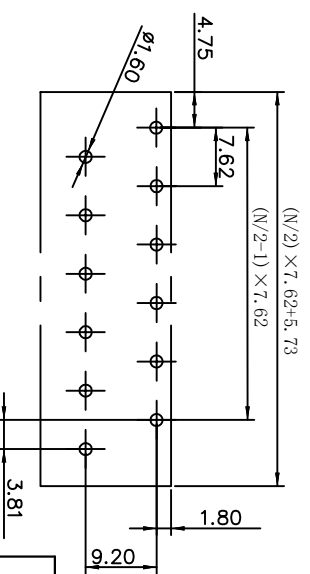
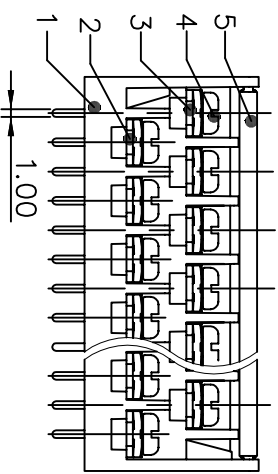
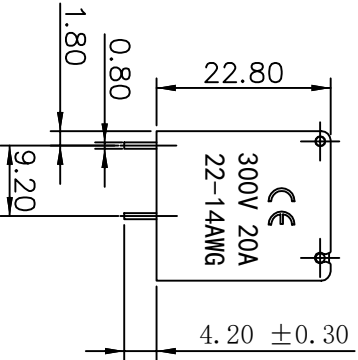
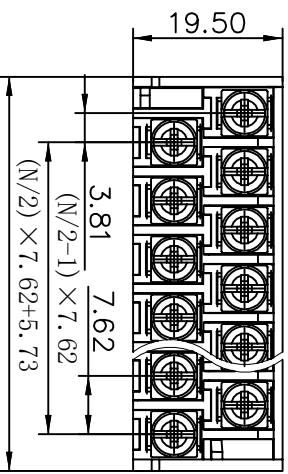
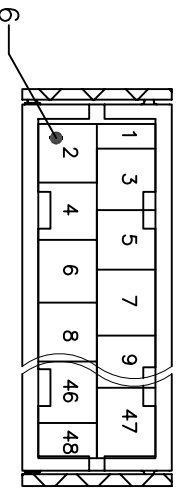


公差/General tolerances(mm)	0	~3	~6	~10	~18	~30	~50	~80	~120	~180	~250	~315	~400	~500	~1/10
±0.12	±0.18	±0.22	±0.26	±0.31	±0.37	±0.57	±0.80	±0.93	±1.05	±1.15	±1.60	±2.20	±2.50	±2	±2'



ITEM	NAME OF PART	MATERIAL	NOTES
6	Label	Paper	/
5	Cover	PC	UL94V-2
4	Screw	Steel	Ni Plated
3	Pin header2	Copper alloy	Sn Plated
2	Pin header1	Copper alloy	Sn Plated
1	Housing	PA66	UL94V-0

UL 标准/UL Standard:	B	C	D
额定电压/Rated Voltage(V)/Current(A)	300/15	/	300/10
螺丝 扭矩/Torque Tightening(N·m/Lb.in)	M3: 0.5/4.43		
线径范围(硬线和软线)/Wire Range(rigid and flexible)(AWG/m)	22-14		
间距/Pitch(mm)/线数范围/Poles	7.62/N = 6, 8, 10, 12, 14, 16, 18, 20, 22, 24, 26, 28, 30, 32, 36, 40, 44, 48P		
剥线长度/Stripping length(mm)	7-8		
使用温度范围/Operating temperature(°C)	-40 ~ +105		
符合RoHS环保要求/Conform to RoHS	Yes		

康伟电子	康伟电子
APPR: 2023.08.22	DATE: 2023.08.22
CHKD: 2023.08.22	DRFT: A4
DRFT: 2023.08.22	DATE: 2023.08.22

POB LAYOUT

REV	ECN	DESCRIPTION	DRFT	DATE	APP	CHKD	DRFT	DATE	DRAWING NO.	TYPE	DRAWING STATUS	SCALE	SHEET
1									KV762S-7.62				
2													