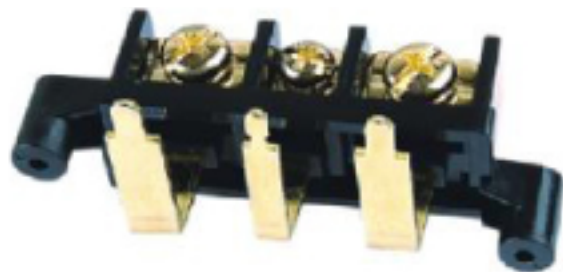
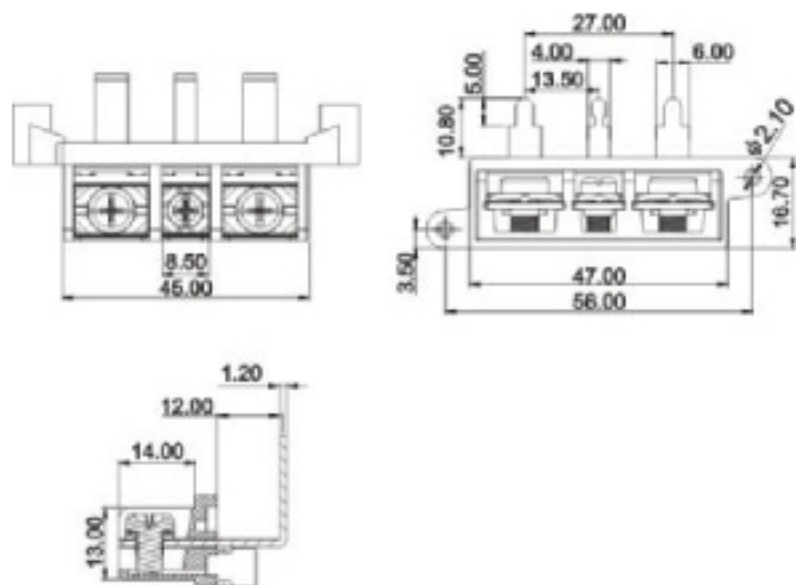


CE



EA16-A



APPROVAL	UL Certification Link	CE
Electrical		
Standard	UL	IEC
Rated voltage	300V	250V
Rated current	30A	32A
Wire range	22-12AWG	4.0mm ²
Withstand Voltage	AC2000V/Min	
Insulation Resistance	1000MΩ/DC500V	
Mechanical		
Max.Torque Value	1.2N.m 10.6Lb.in	
Ambient temperature	-40°C ~ +80°C	
Dimensions		
Pitch	PC UL 94V-2	
Poles	2P-11P	
Material		
Housing	PC UL 94V-2	
Terminal	Brass, Gold plated	
Screws	Steel/M4 Gold plated	

HOW TO ORDER :

- P - 1 -

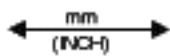


Series number

No. of pole

Color

1 Grey	4 Green	7 Trans Parent
2 Blue	5 Orange	8 Yellow
3 Black	6 Red	9 White

Customer Request

	 China · Kang Wei electronics co., LTD
	NAME EA16-A