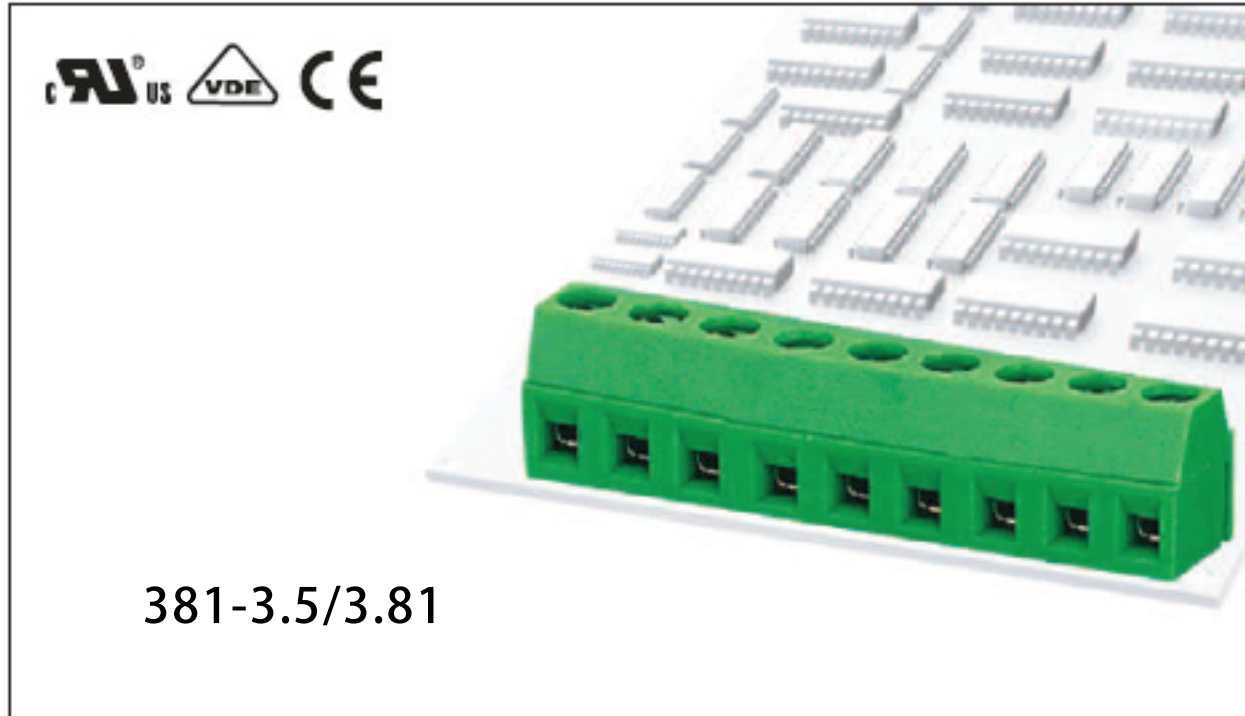
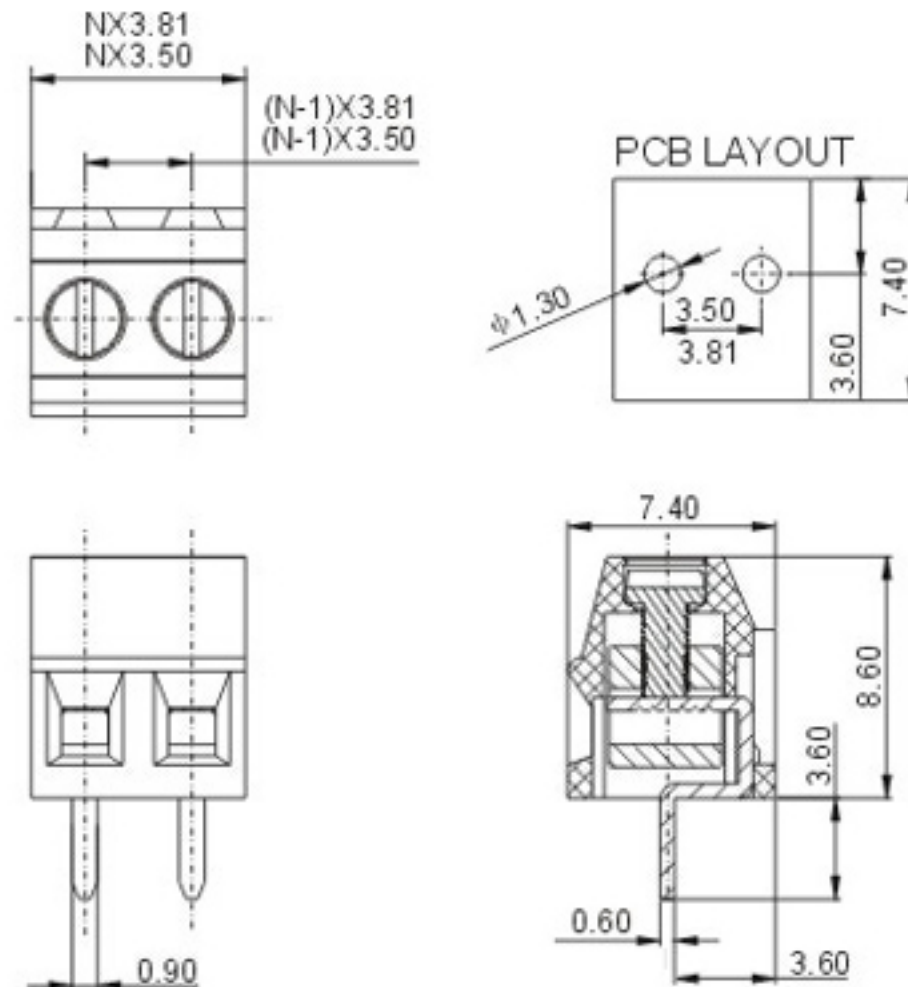




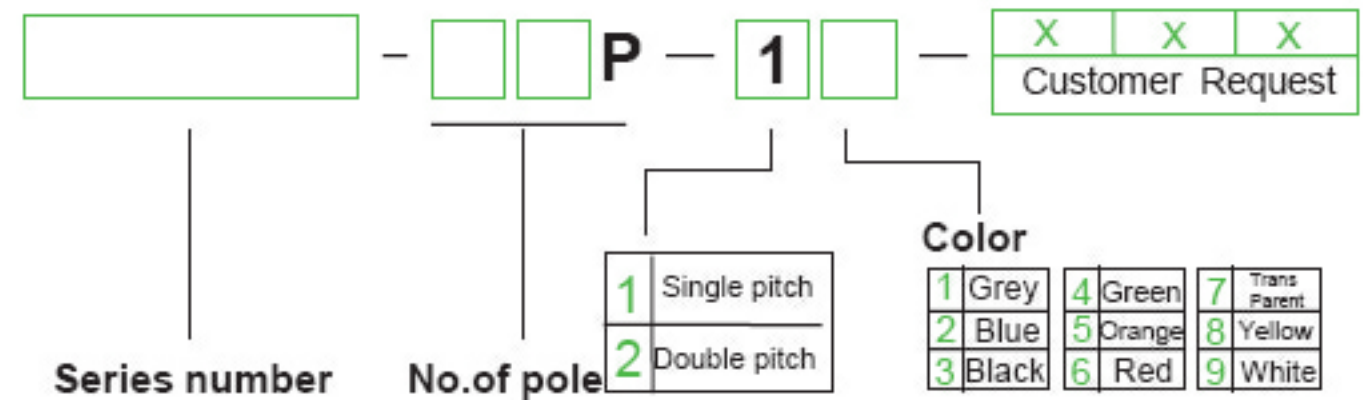
# China · Kang Wei electronics co., LTD Product Specification



<b>APPROVAL</b>		
<b>Electrical</b>		
Standard	UL	IEC
Rated voltage	150V,300V	130V
Rated current	10A	10A
Wire range	26-16AWG	1.0mm <sup>2</sup>
Withstanding voltage	AC2000V/1Min	
<b>Menchanical</b>		
Torque	0.2Nm(1.7Lb-In)	
Ambient temperature	-40℃~+105℃	
Strip length	5mm	
<b>Dimensions</b>		
pitch	3.5mm(.138" ) 3.81mm(.150" )	
Poles	2P,3P-24P	
<b>Material</b>		
Housing	PA66,UL94V-0	
Screws	M2,Steel, Cr <sup>3+</sup> Znplated	
Pin header	Phosphor bronze, Tin-plated	
Cage	Brass, Ni-plated	



## HOW TO ORDER :



  THIRD ANGLE PROJECTION	 <b>China · Kang Wei electronics co., LTD</b>
NAME	381-3.5/3.81